



HEDY[®]
www.hedyi.com
Products



Guangzhou HEDY Intelligent Equipment Co.,Ltd.

Add : No.63,Punan Road,Yunpu Industry Zone,Huangpu District,Guangzhou City 510760,China
Fax : +86-(0)20-8205 3335
Technical Support Hotline : +86-4007 000 885
Web Site : <http://www.hedyi.com>



HEDY[®]
www.hedyi.com

Solar Pump Drive



Guangzhou HEDY Intelligent Equipment CO.,Ltd.
Hotline +86- 4007-000-885





Brief introduction

Hd300 series inverter special for PV water pump adopts the high accuracy fast MPPT algorithms, tracking the PV array output by the maximum power point, driving the pump motor as much as possible to meet various pumping applications. The inverter special for PV water pump can support AC input besides support PV array DC input. When the PV array can not drive the motor or does not have output, it can also accept the grid AC input or other AC motor to supply the power to meet various emergency needs. HD300 series inverter special for PV water pump provides full protection, maximizing the life of motor and pump.

Capacity range

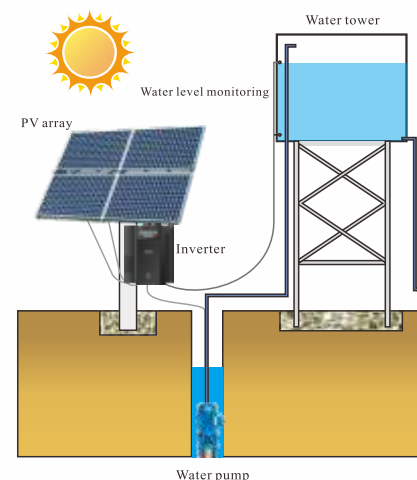
Power range: 0.4~132kW
 Output frequency: 0~400Hz
 Input voltage range:
 1: DC 200V~380V, 1-phase AC 220V
 2: DC 200V~380V, 3-phase AC 220V
 3: DC 350V~750V, 3-phase AC 380V

Application field

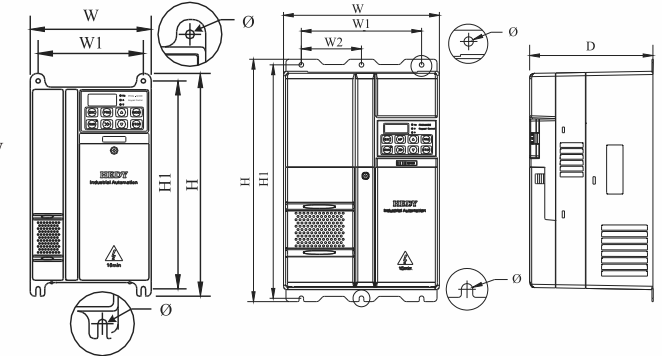
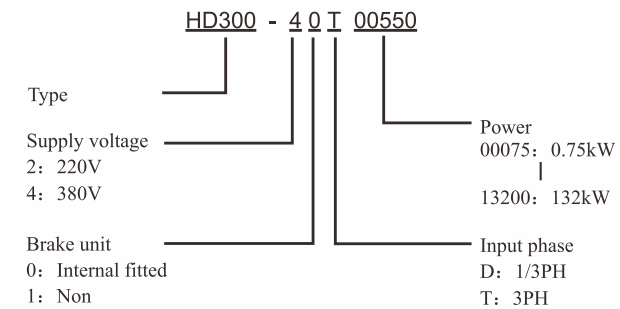
- Agricultural Irrigation
- Grassland Animal Husbandry
- Forest Irrigation
- Municipal Water
- Landscape Fountain
- Fish Ponds
- Highway Greening
- Coastal Salt Works Water Supply And Drainage
- Etc

Technical Features

- AUTO MPPT
- High efficiency for 99.9%
- Intelligent adjustment
- Perfect protection
- Intelligent operation
- AC/DC input
- Significant energy saving
- Remote monitoring
- Safe and reliable
- Easy installation
- Unattended operation
- Low carbon environmental protection



Model reference



Recommended solar array configuration

Size	Model Name	W(mm)	W1(mm)	W2(mm)	H(mm)	H1(mm)	D(mm)	D1(mm)	Mounting Hole Ø	Weight(kg)
A	HD300-20D00075	97.4	80	-	202.4	190	148.8	-	5	1.4
	HD300-20D00150									
	HD300-40T00075									
	HD300-40T00150									
	HD300-40T00220E									
B	HD300-20D00220	142.4	123.5	-	220.4	208	155.5	-	5	2.2
	HD300-40T00400									
	HD300-40T00550E									
C	HD300-40T00400	163.1	142	-	300	280	176.8	-	6	4.5
	HD300-40T00750									
D	HD300-40T01100	238.5	184	92	370	356.5	189	-	7	8.8
	HD300-40T01500									
E	HD300-40T01850	238.5	184	92	435.5	422	200.3	-	7	12.1
	HD300-40T02200									
E1	HD300-40T03000E	320	210	-	510	490	226	222.5	8	20
	HD300-40T03700E									
F	HD300-40T04500E	355.5	221	-	573	552.5	315.5	310	10	40
	HD300-40T05500									
	HD300-40T07500									
G	HD300-40T09000	445.6	340	170	725	701.5	355	349.5	10	63
	HD300-40T11000									
	HD300-40T13200									
	HD300-40T13200									

Application



No need to set up power grids, without energy storage equipment, direct converting solar power water pumping, solve the global problem without electric power shortage areas of agricultural irrigation water.



In Indian HD300 Peanuts irrigation application, high efficiency, stable and reliable, efficiency value to 99.9%, the customers are very satisfied with HD300